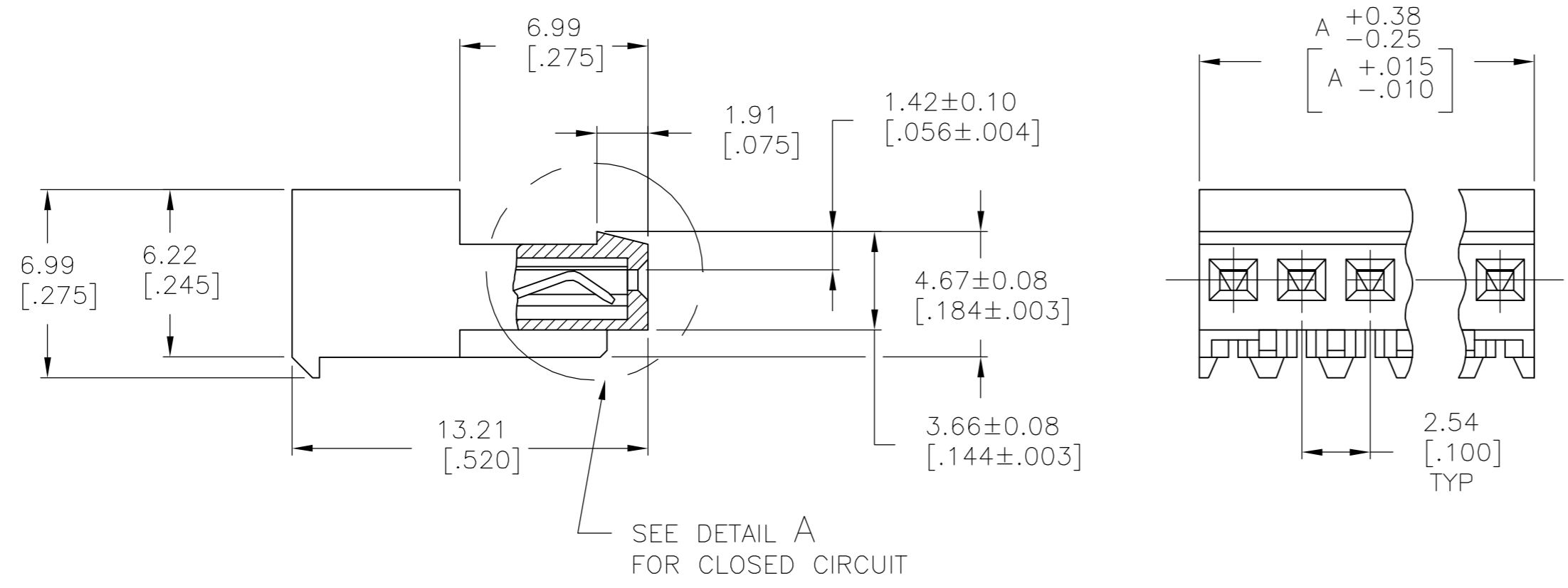
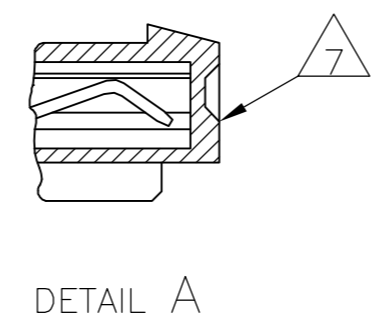
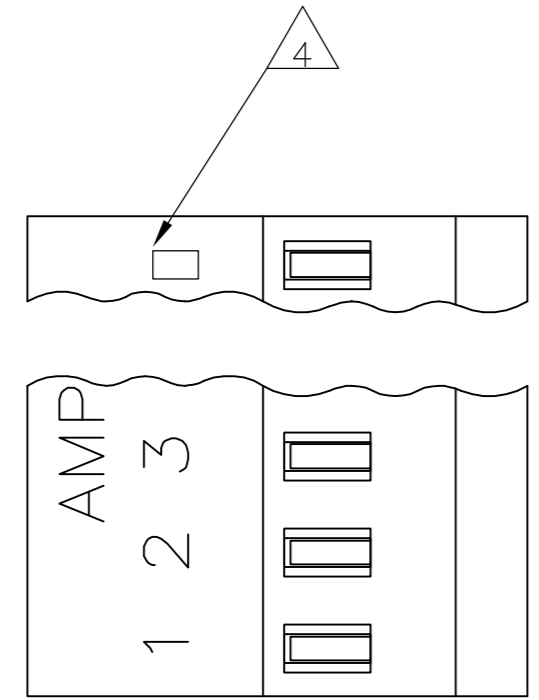


THIS DRAWING IS UNPUBLISHED. RELEASED FOR PUBLICATION
 © COPYRIGHT BY TYCO ELECTRONICS CORPORATION. ALL RIGHTS RESERVED.

LOC		DIST		REVISIONS			
P	LTR	DESCRIPTION		DATE	DWN	APVD	
CM	00	E		REVISED PER ECO-07-003755	28FEB07	KW DB	

- 1 MATERIAL: CONNECTOR - NYLON UL94V-2 (RED).
 CONTACTS - 0.30[.012] THICK COPPER ALLOY
 MATTE WHISKER MITIGATED TIN
 0.00203[.000080] MIN THICKNESS
 OVER NICKEL UNDERPLATE OR BRIGHT
 TIN-LEAD 93/7 0.00203[.000080] MIN
 THICKNESS. SEE FINISH COLUMN FOR
 PLATING TYPE.
- 2. CONTACTS ACCEPT 22 AWG WIRE WITH 1.52[.060] MAX
 INSULATION DIAMETER.
- 3. CONTACTS MUST ACCEPT 0.64±0.03[.025±.001] SQUARE
 POST AND REMAIN LOCKED IN POSITION.
- 4 IDENTIFICATION NUMBER FOR LAST CIRCUIT MAY
 NOT APPEAR ON ALL ASSEMBLIES.
- 5. DIMENSIONS IN BRACKETS ARE IN INCHES.
- 6. HOUSING FEATURES ARE: CLOSED END WITH LOCKING
 RAMP.
- 7 DETAIL A SHOWS CIRCUIT NO.5 MOLDED CLOSED.



FINISH	DIM A	NO OF CIRCUITS	PART NO
TIN	25.40 [1.000]	10	4-644426-0
	20.32 [.800]	8	3-644426-8
	17.78 [.700]	7	3-644426-7
TIN-LEAD	25.40 [1.000]	10	1-644426-0
	20.32 [.800]	8	644426-8
	17.78 [.700]	7	644426-7

METRIC

THIS DRAWING IS A CONTROLLED DOCUMENT.

DIMENSIONS: mm [INCHES]	TOLERANCES UNLESS OTHERWISE SPECIFIED: 0 PLC ± - 1 PLC ± - 2 PLC ± - 3 PLC ± - 4 PLC ± - ANGLES ± -	DWN B. LEWIS 22 APR 91 CHK R. SWING 22 APR 91 APVD G. MILLER 22 APR 91	NAME 108-1050 APPLICATION SPEC 114-1019	tyco Electronics Corporation Harrisburg, Pa 17105-3608	SIZE A2 CAGE CODE 00779 DRAWING NO C=644426	RESTRICTED TO -
MATERIAL 1	FINISH 1	WEIGHT -	CUSTOMER DRAWING	SCALE 5:1	SHEET 1 OF 1	REV E